

Original



DISPENSERS



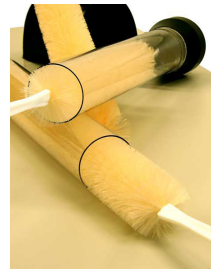
Original M dispenser
Capacity 2L / 67 Oz / 3.5 Pt
Height 74 cm / 29.1 In.

Original L dispenser
Capacity 3L / 101 Oz / 5.2 Pt (with Ice Tube accessory 2L / 67 Oz / 3.5 Pt)
Height 90 cm / 35.4 In.

Original XL dispenser
Capacity 5L / 169 Oz / 8.7 Pt (with Ice Tube accessory 3L / 101 Oz / 5.2 Pt)
Height 125 cm / 49.2 In.

UNITS

ACCESSORIES



Cleaning brush M
Minimum one recommended per venue. See cleaning video

Cleaning brush L
Minimum one recommended per venue. See cleaning video

Cleaning brush XL
Minimum one recommended per venue. See cleaning video

FOR MODEL

UNITS

M

L

XL

Easywash hose
Fits any tap and allows fast rinsing of the tubes. See cleaning video.

All

(8) Ice Tube L
Fill with ice and water, keeps the drink cold even longer

L

(9) Ice Tube XL
Fill with ice and water, keeps the drink cold even longer

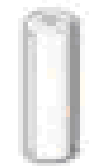
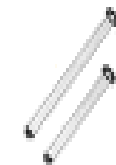
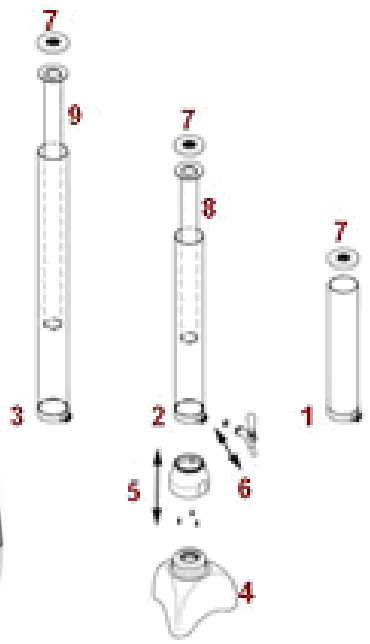
XL

Ice Bullet Set L (3 Bullets)
Use with Ice Tube L, substitutes ice cubes

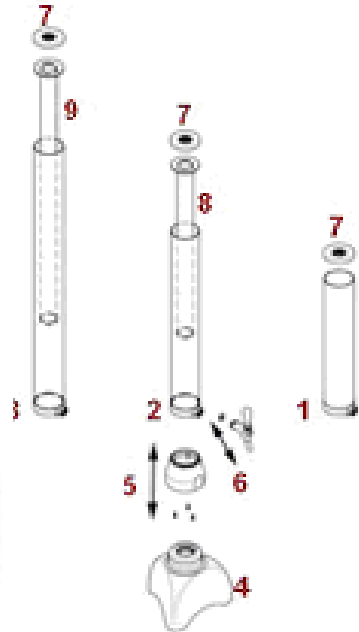
L

Ice Bullet Set XL (5 Bullets)
Use with Ice Tube XL, substitutes ice cubes

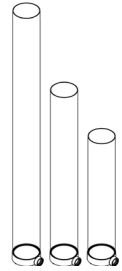
XL



Original



SPARES



(1) Polycarbonate tube M
(includes tap connector)

FOR MODEL

M

UNITS

(2) Polycarbonate tube L
(includes tap connector)

L

(3) Polycarbonate tube XL
(includes tap connector)

XL



(5) Tube connector
(with screws)

All



(4) Base

All



(6) Tap
(with sealing ring)

All



(7) Cap

All